



PUMPS: STAINLESS STEEL STEAM TABLE PAN PUMPS

Models CP-1/6, CP-1/4, CP-1/3 & CP-1/2 DL

WHAT DO YOU DISPENSE?

- THIN • fountain syrups • liqueur • hot or soy sauce
- THICK • ketchup • mustard • mayo • bbq sauce
- PARTICULATES • tartar sauce • Thousand Island



CP-1/6 83400 (SHOWN WITH PAN)



CP-1/3 TALL 83441 (SHOW WITH PAN)

BID DESCRIPTION

Server Products CP model pumps dispense directly from a corresponding size steam table pan, 6" (15.2 cm) deep. Each stainless steel pump is constructed with a cast valve body featuring captured balls to prevent loss. A maximum portion of 1 ounce (30 mL) per stroke reduces in 1/8 ounce (3.7 mL) increments with supplied gauging collars. Pump knob can be colored and engraved to label contents; black is standard.

Dispense from a 1/6-size steam table pan, 6" (15.2 cm) deep with CP-1/6, 1/4-size pan with CP-1/4, 1/3-size pan with CP-1/3, and 1/2-size long pan (pump on each end) with CP-1/2 DL. Steam table pans sold separately.

Tall models have a 3" (7.6 cm) taller discharge tube to fit deeper refrigeration equipment. The extra depth recesses the top of the pan 3" (7.6 cm) below the top lip of the refrigeration.

STANDARD FEATURES

- Stainless steel construction
- 1 oz (30 mL) maximum portion, now adjustable in 1/8 oz (3.7 mL) increments — allows for Portion Optimization™
- Colored, engraved knob is available upon request (contact customer service for details)

ACCESSORY ITEMS

- 1/6-Size Steam Table Pan, 6" (15.2 cm) Deep 90089
- 1/4-Size Steam Table Pan, 6" (15.2 cm) Deep 90086
- 1/3-Size Steam Table Pan, 6" (15.2 cm) Deep 90083

TWO YEAR WARRANTY

Server Products equipment is backed by a two-year limited warranty against defects in materials and workmanship. For a copy of our complete warranty statement, please refer to server-products.com.

CAD LIBRARY

Individual CAD images can be downloaded free of charge from our website. Our complete collection of CAD files, along with more than 100 other manufacturers, can be purchased through Kochman Consultants, Ltd. at kclcad.com.

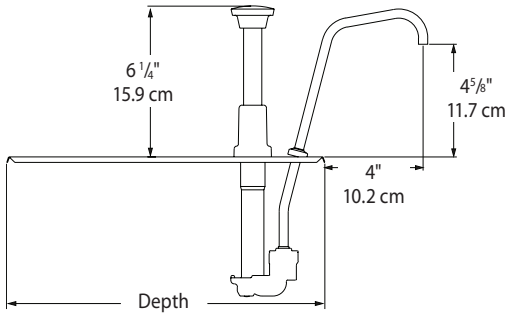


2 YEAR
WARRANTY

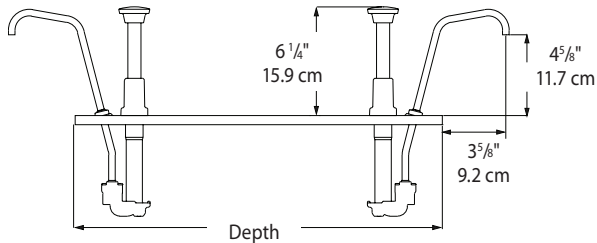
PUMPS: STAINLESS STEEL STEAM TABLE PAN PUMPS

Models CP-1/6, CP-1/4, CP-1/3 & CP-1/2 DL

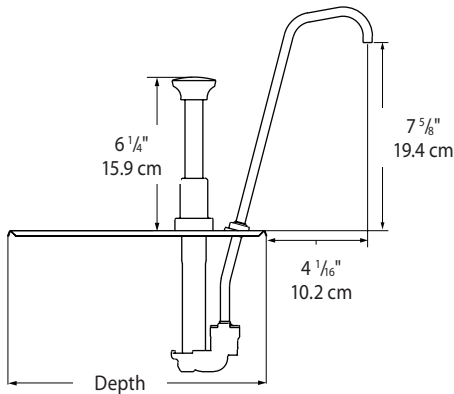
CP-1/6 83400, CP-1/4 83420
& CP-1/3 83430



CP-1/2 DOUBLE LONG 83480



TALL PUMPS: CP-1/6 83433, CP-1/4 83437
& CP-1/3 83441



MODELS ●●●	CP-1/6 83400	CP-1/4 83420	CP-1/3 83430	CP-1/2 DL 83480
Capacity	2.7 qt 2.6 L	4.5 qt 4.3 L	6.1 qt 5.8 L	10 qt 9.5 L
Width	6 7/16" 17.5 cm	6 5/8" 16.8 cm	7 1/8" 18.1 cm	6 9/16" 16.7 cm
Depth	7 1/16" 17.9 cm	10 1/2" 26.7 cm	13 1/16" 33.2 cm	20 15/16" 53.2 cm
Weight	3 lb (1.4 kg)	3 lb (1.4 kg)	3 lb (1.4 kg)	5 lb (2.3 kg)

MODELS ●●●	CP-1/6 TALL 83433	CP-1/4 TALL 83437	CP-1/3 TALL 83441	CP-1/2 DL TALL 83447
Capacity	2.7 qt 2.6 L	4.5 qt 4.3 L	6.1 qt 5.8 L	10 qt 9.5 L
Width	6 7/16" 17.5 cm	6 5/8" 16.8 cm	7 1/8" 18.1 cm	6 9/16" 16.7 cm
Depth	7 1/16" 17.9 cm	10 1/2" 26.7 cm	13 1/16" 33.2 cm	20 15/16" 53.2 cm
Weight	3 lb (1.4 kg)	3 lb (1.4 kg)	3 lb (1.4 kg)	5 lb (2.3 kg)

FOB RICHFIELD, WISCONSIN 53076

CP-1/2 DOUBLE LONG (PAN)
TALL 83447

